

# Electron Trolley

## Applicator Handling System



### Electron Applicator Handling for Varian & Elekta Linacs

**Heavy and bulky** electron applicators require awkward lifting and precise alignment at the gantry.

This increases the risk of staff musculoskeletal injuries and potential damage to the linac's accessory tray or sensitive transit window.

#### **The Solution**

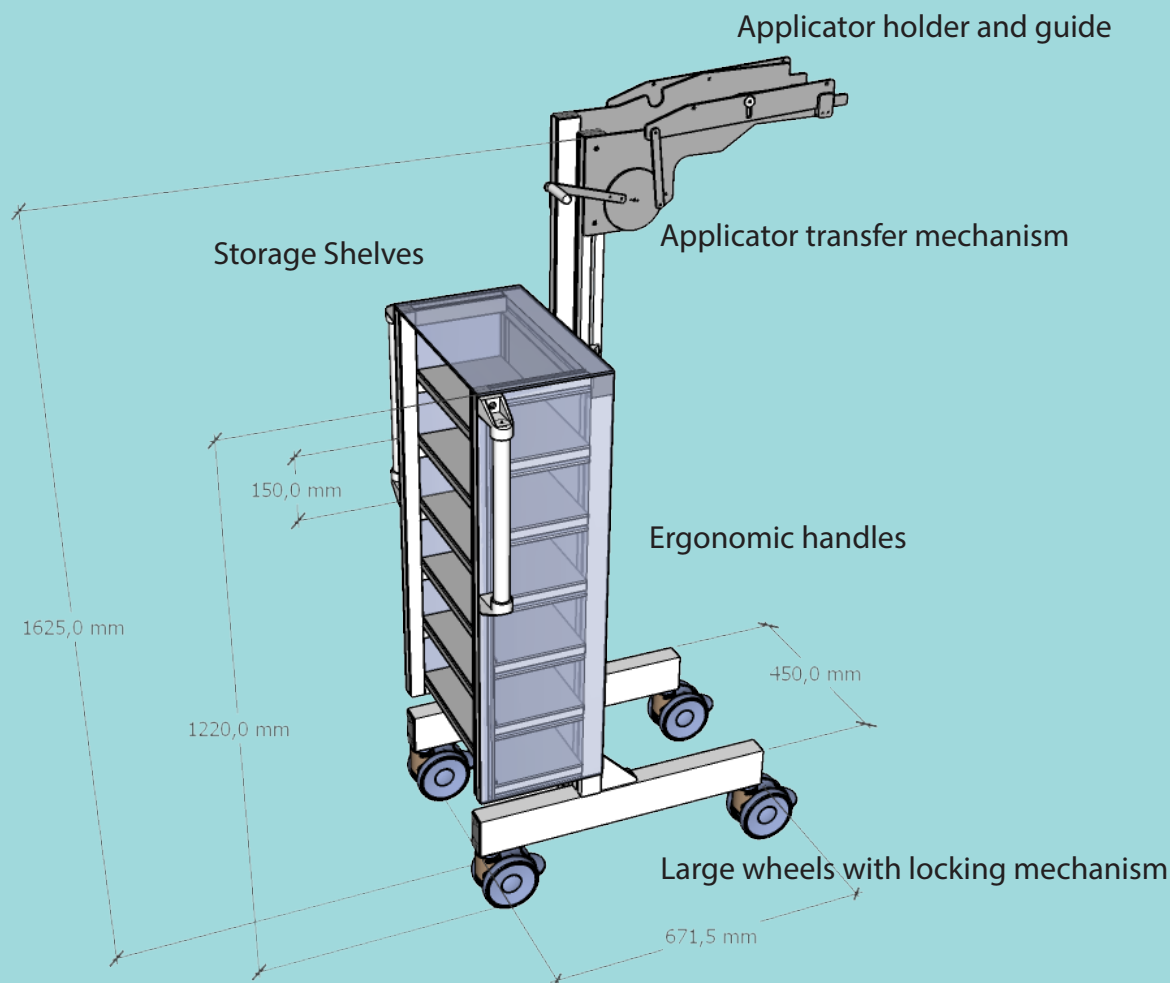
The Omniscopiq Electron Trolley is a Swedish-engineered ergonomic system that eliminates heavy manual lifts, ensures guided and secure docking, and protects both staff and expensive linac equipment.

### Key Statistic

76% of RTTs experience work-related musculoskeletal injuries

Average cost per medically consulted injury :~\$40,000

# Dimensions and Features



## References

1. Alexander N Hanania, Aubrey Cook, Mariflor P Threadgill, Sadie H Conway, Michelle Ludwig, Prevalence of Musculoskeletal Work-related Injuries Among Radiation Therapists, Radiol Technol. 2020 May;91(5):414-421.
2. <https://injuryfacts.nsc.org/work/costs/work-injury-costs/>

## Disclaimer

The studies referenced in this brochure highlight the prevalence of musculoskeletal work-related injuries among radiation therapists and the costs associated with work-related injuries. While these studies provide valuable insights into the challenges faced by radiation therapists, they do not specifically address the handling of electron applicators or the use of the product being advertised. The product is designed to aid in the safe handling of heavy equipment in radiation therapy, but the studies cited should not be interpreted as direct evidence of the product's efficacy or impact. Always refer to product-specific information and consult with professionals regarding its use.